



to compliance
 OSHA'S Lockout Tagout Standard
 29 CFR, 1910.147&1910.269



www.lotoappliances.com



Regd. Office: 1H/31-A, N.I.T, Faridabad-121001 (Haryana) Postal Office: 615, Sector-15-A, Faridabad-121007-Haryana-NCR-INDIA

www.krmcorporation.com | www.lockouttagouts.com | www.safetyloto.com | www.lockoutmaster.com | www.lotoappliances.com

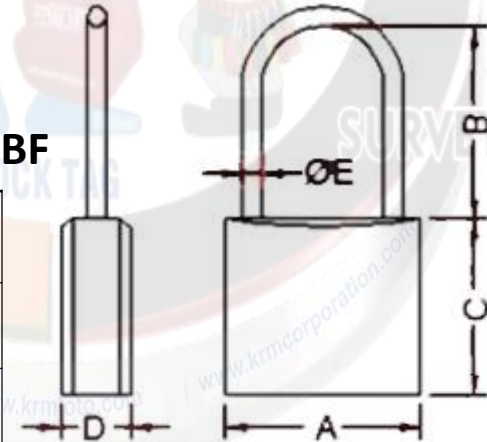
KRM LOTO – BRASS SAFETY PADLOCK

- Padlock Is a detachable Lock Passed By An Opening With U-shaped Shackle Used To Protect Against Unauthorized Or Unwanted Stealing. Provided With Latest Locking Mechanism Used To Lock The Different Devices.
- KRM LOTO SAFETY PADLOCK ---"seamless" lock structure durability-Key system: DIFFER KEY, ALIKE KEY, MASTER & DIFFER KEY.
- Brass Body Padlock with brass cylinder and 6 pin tumbler
- Key retaining-ensures that padlock is not left unlocked.
- Two layer nickel plated brass keys
- Hardened Steel Shackle
- Key system: DIFFER KEY, ALIKE KEY, MASTER & DIFFER KEY.
- Body material: Brass body
- Shackle Material: Hardened Steel Shackle
- Color: Brass Gold
- Withstand 48 to 72 hours of salt spray testing



KRM-K-PDL-BF

KRM-K-PDR-BF



BODY WIDTH (A)	SHACKLE HEIGHT (B)	BODY HEIGHT (C)	BODY DEPTH (D)	SHACKLE THICKNESS (E)
39 mm	38 mm	40.5 mm	19 mm	6.3 mm
39 mm	76 mm	40.5 mm	19 mm	6.3 mm



KRM LOTO – BRASS SAFETY PADLOCK – WITH BRASS SHACKLE

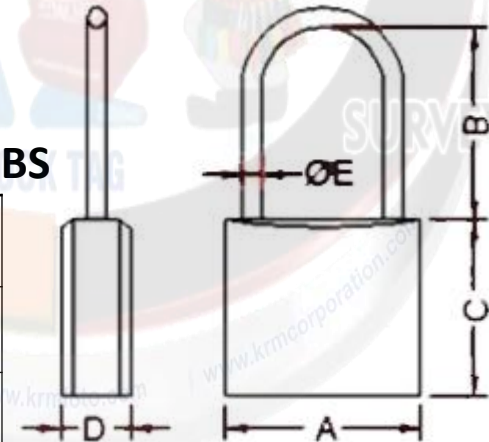
- Padlock Is a detachable Lock Passed By An Opening With U-shaped Shackle Used To Protect Against Unauthorized Or Unwanted Stealing. Provided With Latest Locking Mechanism Used To Lock The Different Devices.
- KRM LOTO SAFETY PADLOCK ---"seamless" lock structure durability-Key system: DIFFER KEY, ALIKE KEY, MASTER & DIFFER KEY.
- Brass Body Padlock with brass cylinder and 6 pin tumbler
- Key retaining-ensures that padlock is not left unlocked.
- Two layer nickel plated brass keys
- Hardened Steel Shackle
- Key system: DIFFER KEY, ALIKE KEY, MASTER & DIFFER KEY.
- Body material: Brass body
- Shackle Material: Brass Shackle
- Color: Brass Gold
- Withstand 48 to 72 hours of salt spray testing



KRM-K-PDR-BS



KRM-K-PDL-BS



BODY WIDTH (A)	SHACKLE HEIGHT (B)	BODY HEIGHT (C)	BODY DEPTH (D)	SHACKLE THICKNESS (E)
39 mm	38 mm	40.5 mm	19 mm	6.3 mm
39 mm	76 mm	40.5 mm	19 mm	6.3 mm

KRM CORPORATION

OSHAS 19001-2007 & BS EN ISO 9001 : 2008 CERTIFIED COMPANY
to meet OSHA'S Lockout Tagout Standard 29 CFR, 1910.147&1910.269

GSTIN No.: 06AAVPW8746Q1Z6,
PAN No.: AAVPW8746Q
TIN No.: 06821328889,
TAN no.: RTKKO3359G

M: 00 91 9810 291 381, 8800 544 881

Regd. Office:1H/31-A, N.I.T, Faridabad-121001 (Haryana) Postal Office:615, Sector-15-A, Faridabad-121007-Haryana-NCR-INDIA

www.krmcorporation.com | www.lockouttagouts.com | www.safetyloto.com | www.lockoutmaster.com | www.lotoappliances.com



LOCKOUT/TAGOUT
KRM-LOTO
SAFETY PRODUCTS

to compliance
OSHA'S Lockout Tagout Standard
29 CFR, 1910.147&1910.269



www.lotoappliances.com



KRM Safetech Private Limited

GSTIN No.: 06AAECK2831L1Z1
PAN No.: AAECK2831L
TIN No.: 06824000112
CIN No.: u31903HR2011PTC042508

Telefax: 00 91 129 4021 381, 413 1381 (D)

KRM LOTO – BRASS SAFETY PADLOCK – WITH NUMBER PATTERN

- Padlock Is a detachable Lock Passed By An Opening With U-shaped Shackle Used To Protect Against Unauthorized Or Unwanted Stealing. Provided With Latest Locking Mechanism Used To Lock The Different Devices.
- KRM LOTO SAFETY PADLOCK ---"seamless" lock structure durability.
- Brass Body Padlock with brass cylinder and 6 pin tumbler
- Four Layer Number pattern to unlock the padlock
- Hardened Steel Shackle
- Body material: Brass body
- Shackle Material: Steel Shackle
- **SIZE** – 85 mm X 40 mm X 14.5 mm
- Lock Length – 48.5 mm
- Shackle Diameter – 6 mm
- Color – Brass Gold
- Withstand 48 to 72 hours of salt spray testing



KRM-K-BSP-NP-4

KRM CORPORATION

OSHAS 19001-2007 & BS EN ISO 9001 : 2008 CERTIFIED COMPANY
to meet OSHA'S Lockout Tagout Standard 29 CFR, 1910.147&1910.269

GSTIN No.: 06AAVPW8746Q1Z6,
PAN No.: AAVPW8746Q
TIN No.: 06821328889,
TAN no.: RTKKO3359G

M: 00 91 9810 291 381, 8800 544 881

Regd. Office: 1H/31-A, N.I.T, Faridabad-121001 (Haryana) Postal Office: 615, Sector-15-A, Faridabad-121007-Haryana-NCR-INDIA

www.krmcorporation.com | www.lockouttagouts.com | www.safetyloto.com | www.lockoutmaster.com | www.lotoappliances.com



LOCKOUT/TAGOUT
KRM-LOTO
SAFETY PRODUCTS

to compliance
OSHA'S Lockout Tagout Standard
29 CFR, 1910.147&1910.269



www.lotoappliances.com



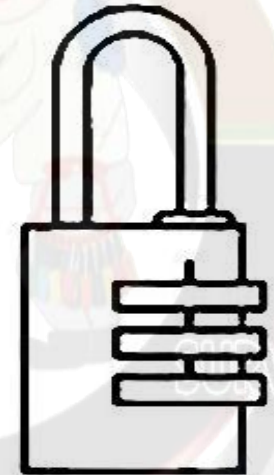
KRM Safetech Private Limited

GSTIN No.: 06AAECK2831L1ZI
PAN No.: AAECK2831L
TIN No.: 06824000112
CIN No.: u31903HR2011PTC042508

Telefax: 00 91 129 4021 381, 413 1381 (D)

KRM LOTO – BRASS SAFETY PADLOCK – WITH NUMBER PATTERN

- Padlock Is a detachable Lock Passed By An Opening With U-shaped Shackle Used To Protect Against Unauthorized Or Unwanted Stealing. Provided With Latest Locking Mechanism Used To Lock The Different Devices.
- KRM LOTO SAFETY PADLOCK ---"seamless" lock structure durability.
- Brass Body Padlock with brass cylinder and 6 pin tumbler
- Three Layer Number pattern to unlock the padlock
- Hardened Steel Shackle
- Body material: Brass body
- Shackle Material: Steel Shackle
- **SIZE** – 54 mm X 21 mm X 10mm
- Lock Length – 29.5 mm
- Shackle Diameter – 3 mm
- Color – Brass Gold
- Withstand 48 to 72 hours of salt spray testing



KRM-K-BSP-NP-3

KRM CORPORATION

OSHAS 18001-2007 & BS EN ISO 9001 : 2008 CERTIFIED COMPANY
to meet OSHA'S Lockout Tagout Standard 29 CFR, 1910.147&1910.269

GSTIN No.: 06AAVPW8746Q1Z6,
PAN No.: AAVPW8746Q
TIN No.: 06821328889,
TAN no.: RTKKO3359G

M: 00 91 9810 291 381, 8800 544 881

Regd. Office: 1H/31-A, N.I.T, Faridabad-121001 (Haryana) Postal Office: 615, Sector-15-A, Faridabad-121007-Haryana-NCR-INDIA

www.krmcorporation.com | www.lockouttagouts.com | www.safetyloto.com | www.lockoutmaster.com | www.lotoappliances.com



to compliance
OSHA'S Lockout Tagout Standard
29 CFR, 1910.147&1910.269

Email: info@krmcorporation.com, krm@krmcorporation.com, wadhwrajinder@gmail.com



www.lotoappliances.com

**KRM Safetech Private Limited**

GSTIN No.: 06AAECK2831L1ZI
PAN No.: AAECK2831L
TIN No.: 06824000112
CIN No.: u31903HR2011PTC042508

Telefax: 00 91 129 4021 381, 413 1381 (D)

INSTRUCTION TO OPERATE – BRASS NUMBER PADLOCK

HOW TO OPEN THE PADLOCK

- To open the lock, code is already set in advance to the pattern (0-0-0) or (0-0-0-0)
- Now try to twist the wheels to mark code on the lock
- Pull the shackle of lock out to open

HOW TO SET A NEW CODE FOR PADLOCK

- Before setting the combination for the lock make sure that the lock should be in open condition
- Lock Shackle should be turned till 180° and then press to the end
- Turn the code wheel to the mark and make a new code of your choice, now pull the shackle of the lock out and the new code is set.

HOW TO LOCK THE PADLOCK

- Press the shackle to end of the lock hole
- Now twist the code and disorder to lock